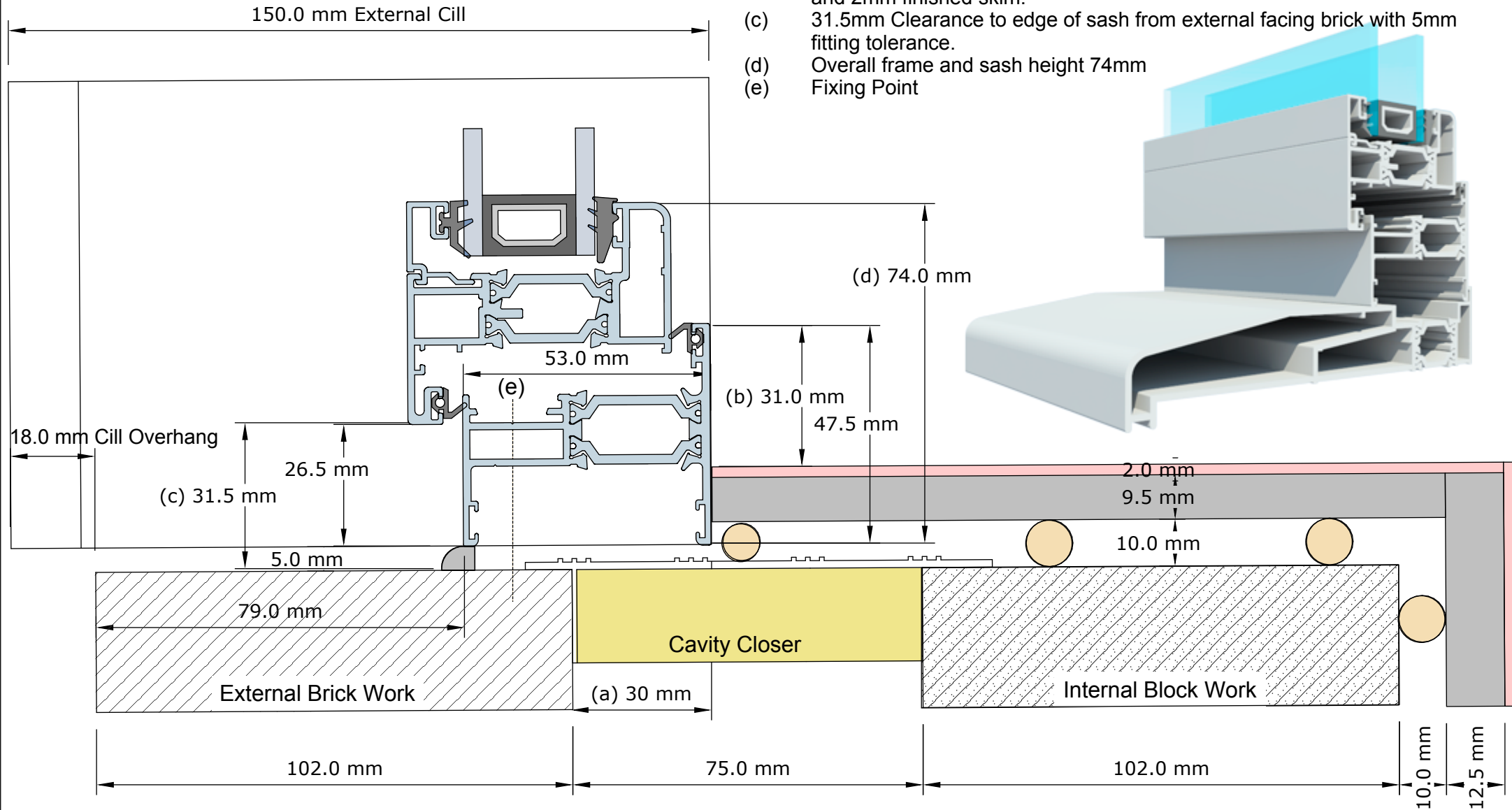


# Sash Reveal Detail: 47.5mm Outer Frame with Square Sash

4/08/2014

## PLAN VIEW



- (a) The frame is set 30mm back over the cavity to conform part "L".
- (b) Visible internal frame is 31mm with a 10mm adhesive + 9.5mm plasterboard and 2mm finished skim.
- (c) 31.5mm Clearance to edge of sash from external facing brick with 5mm fitting tolerance.
- (d) Overall frame and sash height 74mm
- (e) Fixing Point

