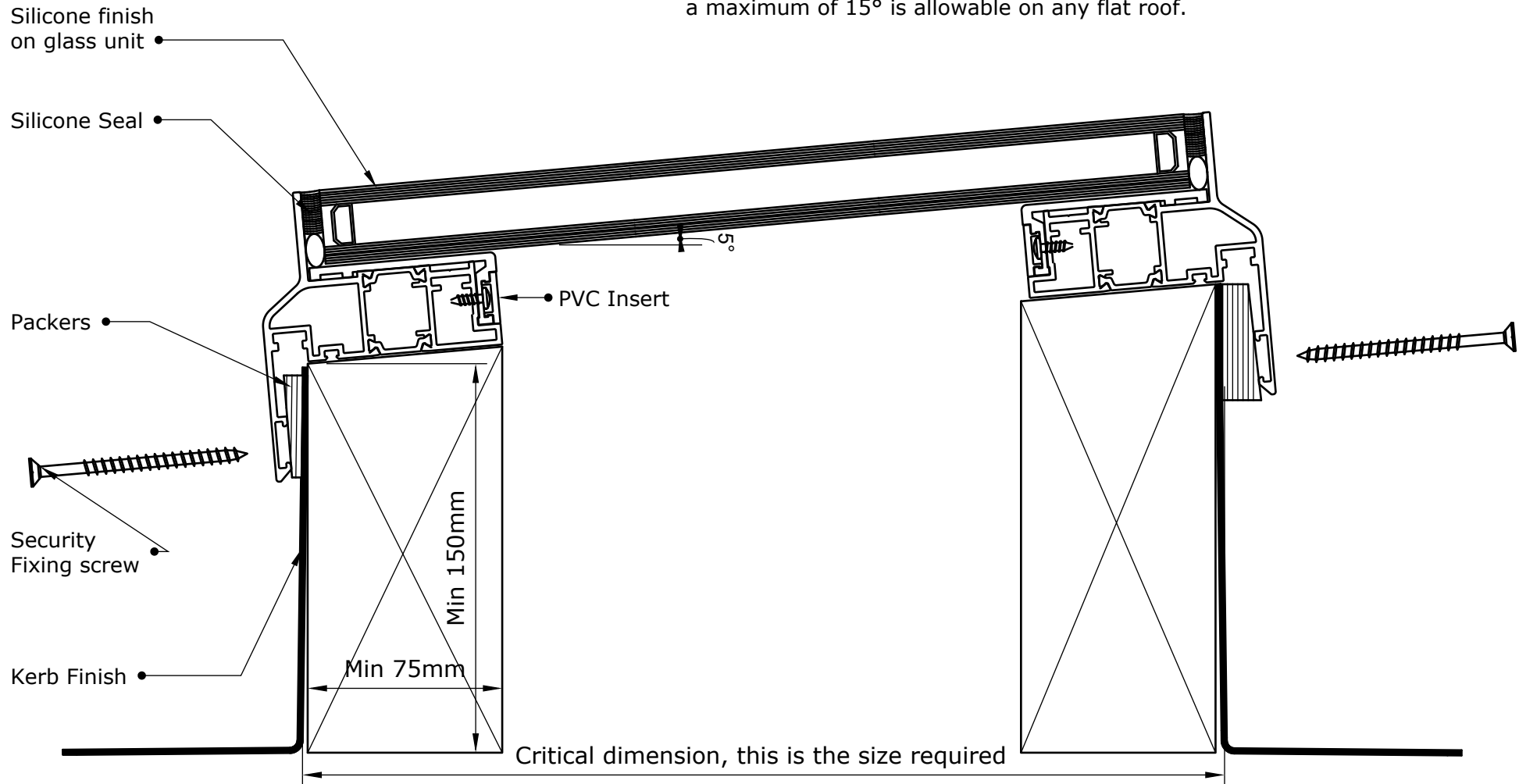


## Fixed Rooflight - how to measure

The measurement we require is from the edge of the finished kerb to the edge of the other finished kerb.

The minimum size of the kerbs should be 75mm wide x 150mm high.

Fixed rooflights require a 5° minimum fall to encourage water drainage, a maximum of 15° is allowable on any flat roof.



N.B. Roof, kerb, fixings, packers & kerb finishes are not provided

**Slide and Fold**